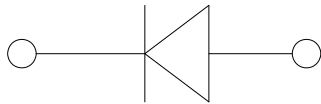
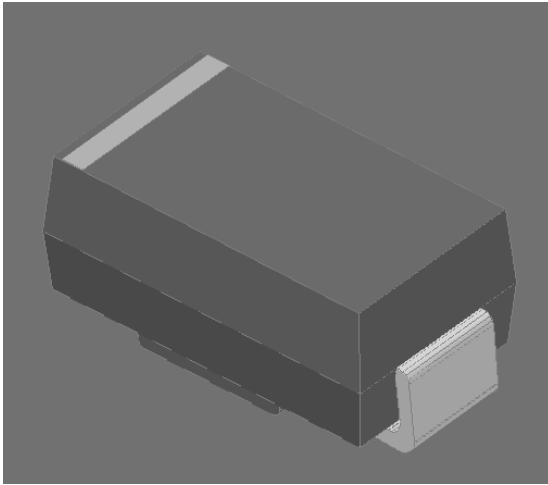




Surface Mount General Purpose Rectifier



Features

- " /RZ SURILOH SDFNDJH
- " ,GHDO IRUWDXGWSRPFDFHPHQW
- " *ODVV SDVVLYDWHG FKLS MXQFWLRQ
- " +LJK IRUZDUG VXUJH FDSDELQW\
- " 0HHWV 06/ OHYHO SHU - 67' /) PD[LXP
- RI f &
- " 3DUW QR ZLWRKHDXQVL\$(3& 4 TXDOLILHG

Typical Applications

-)RU XVH LQ JHQHUUDFWRU\SRQRI SRZHU
- VXSSOLHV LQYHUWHUV FRQYHUWHUV DQG
- FRQVXPHU DXWRPRWLYH DQG WHOHFRPPXQ

Mechanical Data

- " Package '2 \$ & 60\$
- 0ROGLQJ FRPSRQWPHHWDPPDELQW\
- UDWLQJ 5R+6 FRPSOLDQW KDORJHQ IUHH
- " Terminals 7LQ SODWHG OHDGV VROGHUDEOH S
- 67' DQG -(6' %
- " Polarity: &DWKRGH OLQWKGHQRWKIRGH HQG

vMaximum Ratings 7D 8QOHVV RWKHUZZLVH VSHFLILHG

PARAMETER	SYMBOL	UNIT	GS2AAQ	GS2BAQ	GS2DAQ	GS2GAQ	GS2JAQ	GS2KAQ	GS2MAQ
'HYLFH PDUNLQJ FRGH					*6 \$\$	*6 %\$	*6 '\$	*6 *\$	*6 -\$
5HSHWLWLYH SHDN UHYHUVH YROWDJH		9							
0D[LXP 506 YROWDJH	506	99							
\$YHUDJH UHFWLILHG RXWSKW FXUUHQW # +] VLQH ZDYH 5HVLVWDQFH ORDG 7/)LJ \$									
6XUJH QRQ UHSHWLWLYH IRUZDUG FXUUHQW # +] +DOI VLQH ZDYH F\FOH 7D									
6WRUDJH WHPSHUDWXUH	vWJ	-	7			a			
-XQFWLRQ WHPSHUDWXUH	-	-	7			a			

vElectrical Characteristics 7D 8QOHVV RWKHUZZLVH VSHFLILHG

PARAMETER	SYMBOL	UNIT	TEST CONDITIONS	GS2AAQ	GS2BAQ	GS2DAQ	GS2GAQ	GS2JAQ	GS2KAQ	GS2MAQ
0D[LXP LQVWDQW DQRXV IRUZDUG YROWDJH GURS SHU GLRGH \$		9								
7\SLFDO MXQFWLRQ FDSDFLWDQFH 9S 0+&					9					
0D[LXP '& UHYHUVH FXUUHQW DW 7D - UDWHG '& EORFNLQJ YROWDJH SHU GLRGH										
# 9 ₀ 9 ₅₀			7D -							



GS2AAQ THRU GS2MAQ

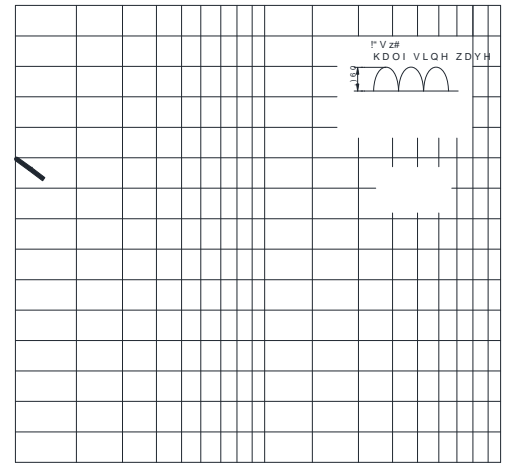
vThermal Characteristics 7D 8QOHVV RWKHUZLVH VSHFLILHG

PARAMETER	SYMBOL	UNIT	GS2AAQ	GS2BAQ	GS2DAQ	GS2GAQ	GS2JAQ	GS2KAQ	GS2MAQ
7KHUPDO 5HVLVWDQFH	5 - s	- :							
	5 - /	- :							

1RWH

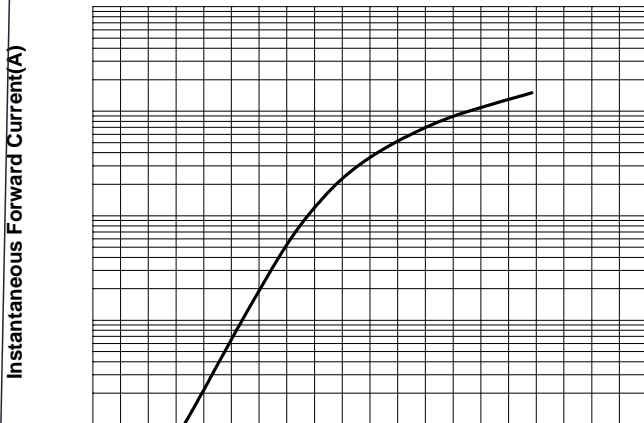
7KHUPDO UHVLVWRU QFWRI UDFPE LMKQW VDLQFG O H B B M R Q W H R Q R W [3 & % ZLPVK] S P U F
SDG DUHDV

vCharacteristics 7\SLFDO



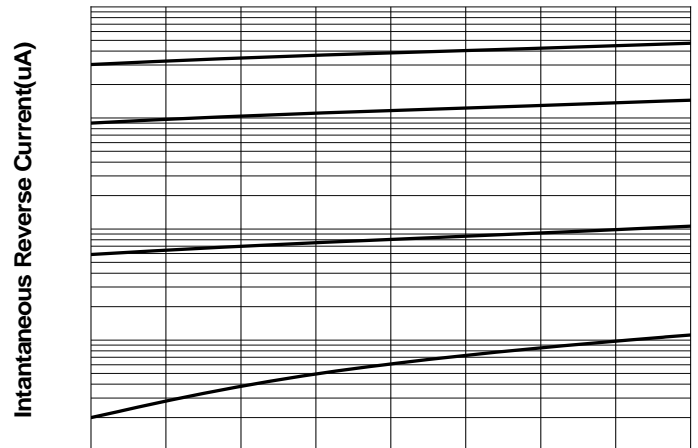
Number of Cycles

Fig3:Typcial Forward Characteristics



Instantaneous Forward Voltage(V)

Fig4:Typical Reverse Characteristics

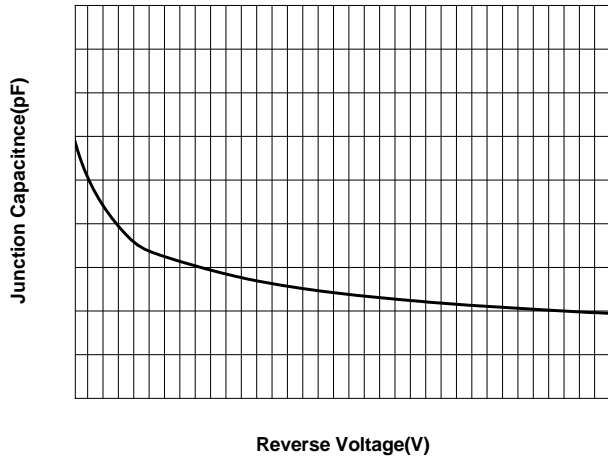


Percent of Peak Reverse Voltage(%)



GS2AAQ THRU GS2MAQ

Fig5:Typical Junction Capacitance



v Ordering Information ([D P S O H

PREFERRED P/N	PACKAGE CODE	UNIT WEIGHT(g)	MINIMUM PACKAGE(pcs)	INNER BOX
---------------	--------------	----------------	----------------------	-----------



GS2AAQ THRU GS2MAQ

Disclaimer

7KH LQIRUPDWLRQ SGRV ~~MDM~~ ~~QMG~~ LQ IR ~~KL~~ ~~DI~~ ~~HJ~~ ~~KR~~ ~~K~~ ~~R~~ ~~H~~ ~~<~~ ~~B~~ ~~Q~~ ~~O~~ ~~M~~ ~~L~~ ~~H~~ (OHFWURQLF 7HHKQRO
ULJKW WR PDNH FKDLQJH VRZLWKR XWS ~~Q~~ ~~R~~ ~~L~~ ~~S~~ ~~I~~ ~~R~~ ~~D~~ ~~G~~ ~~X~~ ~~I~~ ~~R~~ ~~V~~ ~~/~~ ~~R~~ ~~G~~ ~~L~~ ~~W~~ ~~S~~ ~~O~~ ~~D~~ ~~\~~ ~~H~~ ~~G~~ ~~K~~ ~~H~~ ~~U~~ ~~H~~ ~~L~~ ~~Q~~ ~~W~~ ~~R~~ ~~G~~ ~~H~~ ~~P~~ ~~S~~ ~~L~~ ~~U~~ ~~R~~ ~~Y~~
RU RWKHUZLVH

7KH SURGXFW ~~Q~~ ~~L~~ ~~V~~ ~~G~~ ~~H~~ ~~/~~ ~~I~~ ~~K~~ ~~J~~ ~~H~~ ~~G~~ WR EH ~~M~~ ~~V~~ ~~H~~ ~~G~~ ~~Z~~ ~~W~~ ~~U~~ ~~R~~ ~~Q~~ ~~X~~ ~~F~~ ~~W~~ ~~R~~ ~~D~~ ~~E~~ ~~M~~ ~~X~~ ~~O~~ ~~R~~ ~~W~~ ~~L~~ ~~G~~ ~~H~~ ~~P~~ ~~L~~ ~~G~~ ~~O~~ ~~F~~ ~~H~~ ~~O~~ ~~I~~ ~~R~~ ~~O~~ ~~X~~ ~~I~~ ~~V~~ ~~W~~
DLQLQJ RU ~~<~~ ~~D~~ ~~Q~~ ~~J~~ ~~M~~ ~~E~~ ~~H~~ ~~R~~ ~~U~~ ~~\~~ ~~V~~ ~~\~~ ~~R~~ ~~\~~ ~~R~~ ~~\~~ ~~K~~ ~~D~~ ~~R~~ ~~Q~~ ~~L~~ ~~D~~ ~~V~~ ~~H~~ ~~X~~ ~~S~~ ~~P~~ ~~R~~ ~~I~~ ~~Q~~ ~~V~~ ~~E~~ ~~L~~ ~~O~~ ~~L~~ ~~W~~ ~~\~~ ~~R~~ ~~U~~ ~~O~~ ~~L~~ ~~D~~ ~~E~~ ~~L~~ ~~O~~ ~~L~~ ~~W~~ ~~\~~ ~~I~~ ~~R~~ ~~U~~ ~~L~~ ~~P~~ ~~S~~ ~~O~~ ~~R~~ ~~G~~ ~~S~~ ~~D~~ ~~P~~
HU XVH RI VDOH

7KLV SXEOLFDWLRQ ~~G~~ ~~I~~ ~~S~~ ~~O~~ ~~C~~ ~~I~~ ~~S~~ ~~F~~ ~~H~~ ~~U~~ ~~\~~ ~~D~~ ~~G~~ ~~I~~ ~~V~~ ~~L~~ ~~Q~~ ~~U~~ ~~R~~ ~~O~~ ~~\~~ ~~P~~ ~~D~~ ~~X~~ ~~S~~ ~~L~~ ~~S~~ ~~R~~ ~~Q~~ ~~L~~ ~~I~~ ~~S~~ ~~G~~ ~~H~~ ~~Y~~ ~~R~~ ~~\~~ ~~X~~ ~~D~~ ~~G~~ ~~G~~ ~~L~~ ~~W~~ ~~L~~ ~~R~~ ~~Q~~ ~~D~~ ~~O~~ ~~L~~ ~~Q~~ ~~W~~ ~~R~~ ~~H~~ ~~P~~ ~~D~~ ~~W~~ ~~L~~ ~~R~~
KW ~~V~~ ~~Z~~ ~~\~~ ~~D~~ ~~Q~~ ~~J~~ ~~M~~ ~~L~~ ~~H~~ ~~R~~ ~~R~~ ~~\~~ ~~P~~ ~~R~~ ~~Q~~ ~~V~~ ~~X~~ ~~O~~ ~~\~~ ~~R~~ ~~X~~ ~~U~~ ~~Q~~ ~~H~~ ~~D~~ ~~U~~ ~~H~~ ~~V~~ ~~W~~ ~~<~~ ~~D~~ ~~Q~~ ~~J~~ ~~M~~ ~~L~~ ~~H~~ ~~R~~ ~~R~~ ~~\~~ ~~D~~ ~~Q~~ ~~F~~ ~~D~~ ~~I~~ ~~O~~ ~~H~~ ~~V~~ ~~R~~ ~~I~~ ~~L~~ ~~F~~ ~~H~~ ~~I~~ ~~R~~ ~~U~~ ~~I~~ ~~X~~ ~~U~~ ~~W~~